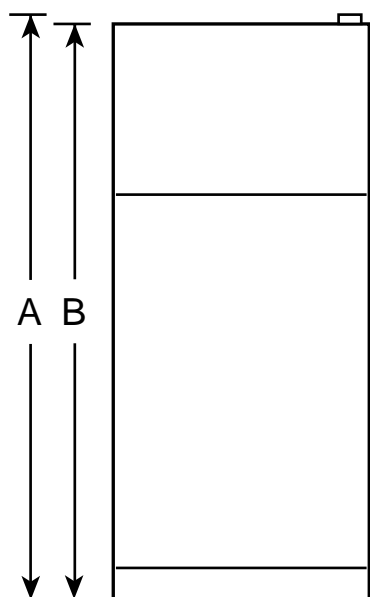


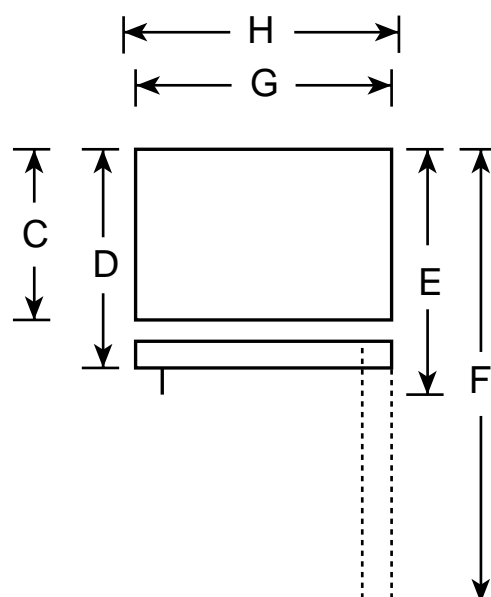
HOTPOINT

CTX18GICAA - Hotpoint 18.2 Cu. Ft. Capacity Top-Freezer Refrigerator with Icemaker

Front View



Top View



Overall Dimensions	Height with hinge (in.) A	64-3/4
	Height without hinge (in.) B	64
	Depth without Doors (in.) C	27-1/2
	Depth with Doors (in.) D	29-13/16
	Depth plus Handle with Doors Closed (in.) E	31-1/2
	Depth with Doors open 90° (in.) F	58
	Width with Doors Closed (in.) G	29-3/8
	Width with Doors open 90° Less Door Handles (in.) H	29-3/8
Air Clearances	Each side (in.)	3/4
	Top (in.)	1
	Back (in.)	1

Note: Before installing, consult installation instructions packed with product for current dimensional data.



Total volume and shelf area are calculated by the Association of Home Appliance Manufacturers' standards.



Listed by Underwriters Laboratories

HOTPOINT

CTX18GICAA - Hotpoint 18.2 Cu. Ft. Capacity Top-Freezer Refrigerator with Icemaker



Features and Benefits

- 18.2 cu ft Capacity (Fresh Food 13.04 cu ft / Freezer 5.13 cu ft)
- Automatic Icemaker with Ice Storage Bin
- 2 Clear Vegetable/Fruit Crispers
- Snack Pan
- 2 Full-Width Adjustable Glass Fresh Food Cabinet Shelves
- Fixed Fresh Food Gallon Door Storage with Tall Bottle Storage
- Dairy Compartment
- 1 Adjustable Full-Width Wire Everwhite Freezer Compartment Shelf
- 2 Freezer Door Shelves
- Color-Matched Door Handles
- Model CTX18GICWW - White on white
- Model CTX18GICAA - Almond on almond